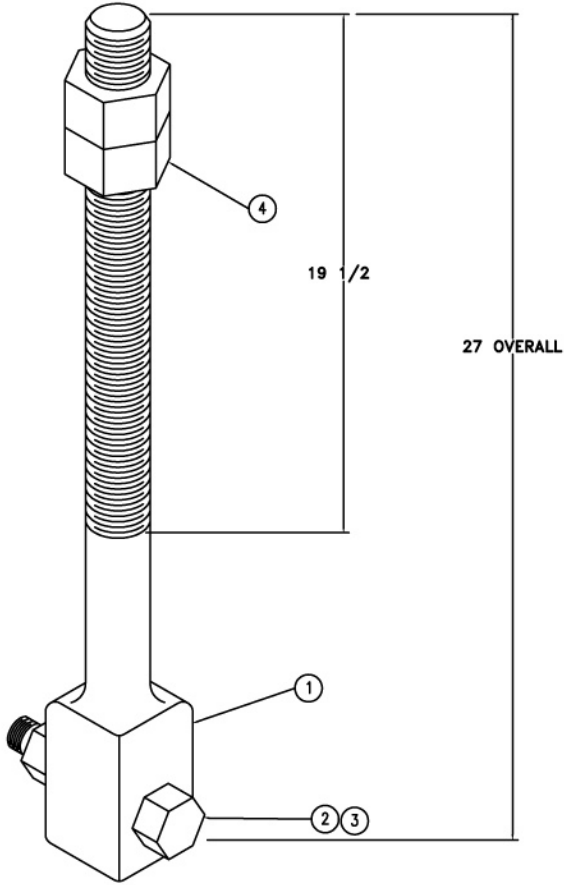


ITEM NO.	DESCRIPTION	PART NO.	DWG. NO.	QUAN.	
				A	B
1.	ADAPTER RBAR 1 1/4 X 27	302088	M-1683	1	
2.	HEAVY HEX HD. BOLT 3/4 X 3"	337232	- - -	1	
3.	REG. HEX JAMB NUT 3/4-10	337514	- - -	1	
4.	HEAVY HEX NUT 1 1/4"	337525	- - -	2	



NOTES
 1. HOT DIP GALV PER ASTM A153,
 AFTER FABRICATION.

CATALOG NO.	PART
150-ETA	A


PREMIUM TECHNICAL SERVICES CORP.
 EAST MEADOW, NY 11554
 WWW.PREMIUMTECHNICAL.COM

ALL UNTOLERANCED DIMENSIONS ARE FOR REFERENCE PURPOSES AND HAVE BEEN PREVIOUSLY DIMENSIONED AND TOLERANCED ON LOWER LEVEL DRAWINGS.

REV.	CHANGED FROM	DATE

ALL INFORMATION CONTAINED IN THIS DISCLOSURE WHETHER PATENTABLE OR OTHERWISE COMPRISES PROPRIETARY INFORMATION OF DIXIE ELECTRICAL MANUFACTURING CO. AND ITS UNAUTHORIZED USE OR PUBLICATION WITHOUT THE EXPRESS CONSENT OF DIXIE ELECTRICAL MANUFACTURING CO. IS STRICTLY PROHIBITED.

DIXIE ELECTRICAL
 MANUFACTURING COMPANY
 P.O. BOX 170040
 BIRMINGHAM, ALABAMA 35217-0040

NAME	DRAWN	SCALE	DR NO.
ANCHOR TERMINATION	NFUCHS	NONE	D7ETA-125
	CHECKED	DATE	
	SCG		
	APPROVED	DATE	REV.
		1JUL06	